



# Front Load Bakeable Sensor

---

INFICON Front Load Bakeable Crystal Sensors offer proven reliability and durability and have the best thermal stability of any sensor head on the market. Made from 304 Stainless Steel, Molybdenum, Inconel, Nickel, and Alumina materials, the Bakeable sensor is designed to withstand continuous bake-out temperatures up to 450°C (for bakeout only, water flow required for actual deposition monitoring). The front load design allows for easy insertion of the crystal holder in applications lacking sufficient room for side insertion.

## Sensor Configurations

The Front Load Bakeable Sensor is available in a standard configuration where the water tubes are parallel to the crystal face. Optionally, sensors can be ordered with a pneumatically driven crystal shutter to protect the crystal during source warm up, when not used during deposition of an alternate material, or to extend crystal life when used with RateWatcher™.

The exposed crystal electrode is fully grounded to effectively eliminate problems due to RF interference.

## Feedthrough and Feedthrough Connection

All Bakeable sensors come welded to a 2 3/4" (CF40) ConFlat® flange feedthrough. Sensor length must be specified and a sensor length specification form, provided by INFICON, must be completed prior to ordering.



## ADVANTAGES

---

- High temperature braze & welded construction
- Bakeout temperatures to 450°C
- Crystal shutter (option)
- Front load crystal holder
- Easy installation
- CF 40 feedthrough
- No brazing or welding to feedthrough required
- Sensor / Feedthrough combination welded to customer specified lengths

**ORDERING INFORMATION**

**Front Load Bakeable Sensor**

**Type of sensor (Includes Crystal Snatcher and User Manual. Crystals sold separately)**

Top load (water lines parallel) .....

**Shutter Assembly**

None .....

Standard shutter .....

**Length of Sensor - SEE NOTE 3**

Shuttered Sensors

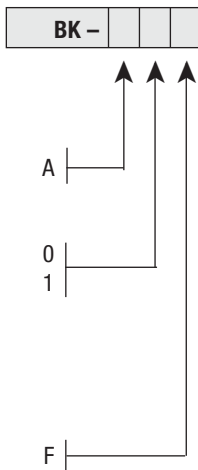
Specify from 17.0 cm - 101.6 cm (6.687" - 40")

Non-Shuttered Sensors

Specify from 10.2 cm - 101.6 cm (4" - 40") .....

\*\*Sensor lengths over 76.2 cm (30") are subject to an additional charge, as well as 2-4 weeks additional lead time.

Custom parts, special bends and other non-standard parts available - Consult factory



**NOTE 1:**

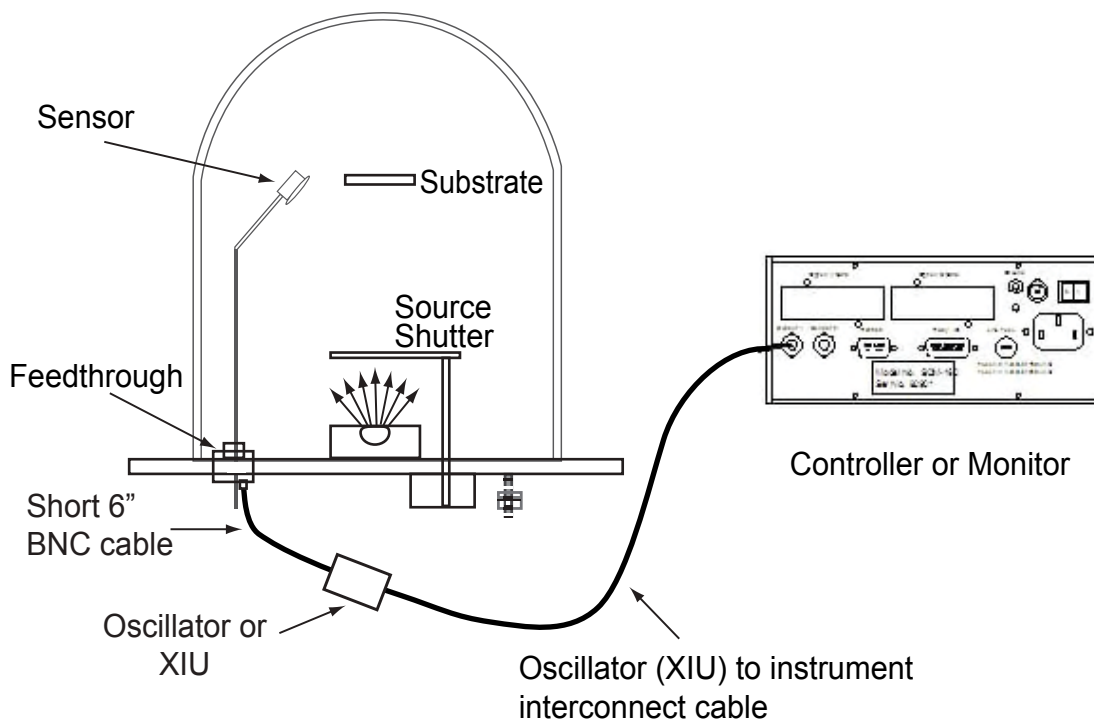
Orders cannot be entered without signed off dimensional drawing. Once order is confirmed, it is not cancelable. Sensor lengths are measured from the center of the crystal to the vacuum side (sealing surface) of the feedthrough (see drawing). INFICON will provide a sensor length specification form.

**NOTE 2:**

All Bakeable Sensors are welded to a CF40 flange.

**NOTE 3:**

Shutter air tube is connected to the feedthrough tube using VCR fittings for field replacement.



## SPECIFICATIONS

### BK-AOF Series Bakeable Sensor Without Shutter

Maximum temperature	450°C continuous (for bake only; water flow recommended for actual deposition monitoring)
Sensor head size (maximum envelope)	1.35" x 1.38" x 0.94" high (34 mm x 35 mm x 24 mm high)
Crystal exchange	Front loading, self-contained package for ease of exchange. Cam-type locking handle allows easy removal and good thermal contact.
Mounting	Four #4-40 tapped holes on the back of the body
Feedthrough	2¾" ConFlat, integral with sensor head Water and coax tubes are semi-rigid, but easily formed. (2.0 in. (50.8 mm)) minimum bend radius)
Utilities	Minimum water flow 150-200 cc/min, 30°C max. (Do not allow to freeze.) (Customer should provide means of easily disconnecting the ¼" water tubes during bakeout.)

### Materials

Body and holder	304 type stainless steel
Springs	Molybdenum & Inconel X-750
Water and coax lines	0.125" (3 mm) O.D. water x 0.015" (0.4 mm) wall thickness seamless 304 stainless steel; 0.188" (5 mm) O.D. coax
Other mechanical parts	18-8 or 304 stainless
Insulators	>99% Al <sub>2</sub> O <sub>3</sub> in vacuum; other high density ceramics used elsewhere
Wire	1) Ni (in vacuum) 2) Ni plated Cu (elsewhere)
Braze	Vacuum process high temperature Ni-Cr alloy
Crystal	0.550" (13.97 mm) diameter

## SPECIFICATIONS

### BK-A1F Series Bakeable Sensor With Shutter

Maximum temperature	450°C continuous (for bake only; water flow recommended for actual deposition monitoring)
Sensor head size (maximum envelope)	1.35" x 1.38" x 1.21" high (34 mm x 35 mm x 31 mm high)
Crystal exchange	Front loading, self-contained package for ease of exchange. Cam-type locking handle allows easy removal and good thermal contact. Pneumatically operated shutter flips up for easy crystal exchange.
Mounting	a) Standard—four #4-40 tapped holes on the back of the body b) Optional—right angle bracket; IPN 007-108
Feedthrough	2¾" ConFlat®, integral with sensor head Water, air and coax tubes are semi-rigid, but easily formed (2.0" (50.8 mm) minimum bend radius)
Utilities	1) Minimum water flow 150-200 cc/min, 30°C max. (Do not allow to freeze.) (Customer should provide means of easily disconnecting the ¼" water tubes during bakeout.) 2) Filtered, oil-free air, regulated at 80 PSIG (5.5 bar) [552 kPa], to 100 PSIG (6.895 bar) [689.5 kPa] max 3) Pneumatic actuator shutter control valve, 750-420-G1, 24 VAC or VDC, or equivalent valve required

## SPECIFICATIONS

### BK-A1F Series Bakeable Sensor With Shutter (continued)

#### Materials

Body and holder	304 type stainless steel
Springs	Molybdenum & Inconel X-750
Water, air and coax lines	0.125" (3 mm) O.D. water & air x 0.015" (0.4 mm) wall thickness seamless 304 stainless steel; 0.188" (5 mm) O.D. coax
Other mechanical parts	18-8 or 304 stainless
Insulators	>99% Al <sub>2</sub> O <sub>3</sub> in vacuum; other high density ceramics used elsewhere
Wire	1) Ni (in vacuum) 2) Ni plated Cu (elsewhere)
Braze	Vacuum process high temperature Ni-Cr alloy
Crystal	0.550" (13.97 mm) diameter

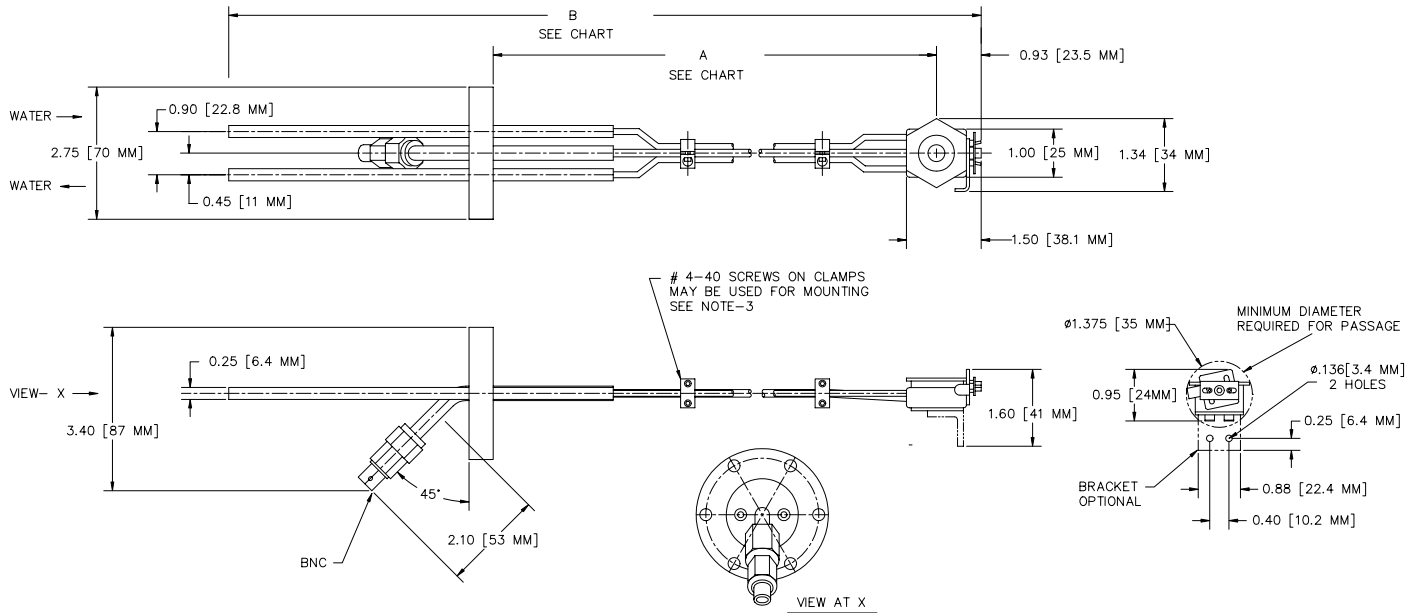
## SPARE PARTS LIST

P/N	Description
007-064	Ceramic Retainer
007-094	Clamping Spring
007-095	Handle
007-098	Female Connector (includes ferrules and Nut)
007-099	Bakeable Head Contact
007-100	Insulator for BNC
007-103	Insulator for Bakeable Head Contact
007-104	BNC Body
007-155	Braze Assy - 12 in./ 30.5 cm
007-156	Braze Assy - 20 in./ 50.8 cm
007-157	Braze Assy - 30 in./ 76.2 cm
007-147	#4-40 x 3/8 Screw
007-007	Retainer Spring (part of Crystal Holder)
007-228	#4-40 x 5/8 Screw
059-0084	VCR Gasket
070-0201	#4 Split Lockwasher
007-267-P2	Spreader Bar

P/N	Description
007-268-P1	Shoulder Washer
007-269-P1	Shoulder Washer
084-069-P1	#4-40 x 3/16 Screw
750-018-P3	Split Clamp
750-018-P5	Split Clamp
750-022-G5	Bellows Assembly - 12 in./ 30.5 cm
750-022-G6	Bellows Assembly - 20 in./ 50.8 cm
750-022-G7	Bellows Assembly - 30 in./ 76.2 cm
750-028-G5	Braze Assy w/ Air Line - 12 in./ 30.5 cm
750-028-G6	Braze Assy w/ Air Line - 20 in./ 50.8 cm
750-028-G7	Braze Assy w/ Air Line - 30 in./ 76.2 cm
750-115-P4	Coupling
750-118-P4	Actuator Support
750-120-G3	Shaft Assembly
750-216-G1	Shutter Assembly
750-218-G1	Crystal Holder

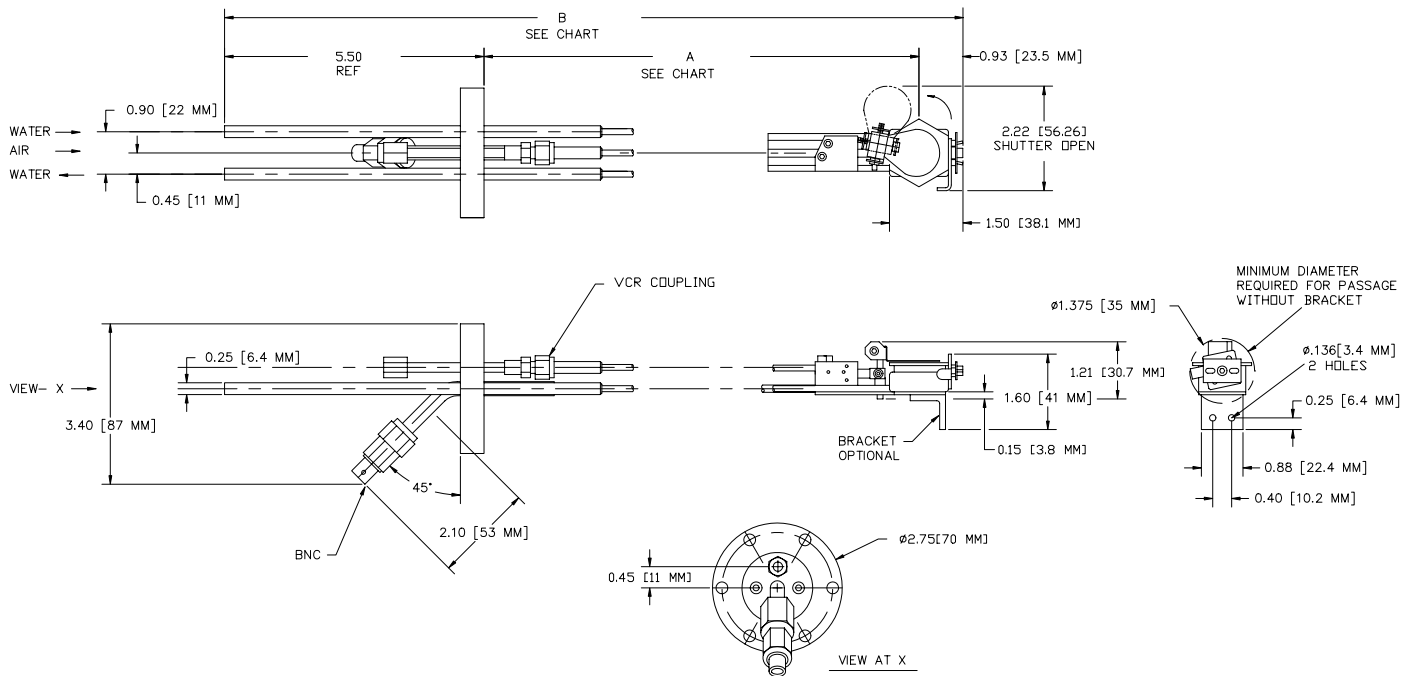
## DIMENSIONS

### BK-A0F Sensor / Feedthrough Combination



## DIMENSIONS

### BK-A1F Sensor / Feedthrough Combination



## DIMENSIONS

### Sensor Length Specification for BK-A0F and BK-A1F Sensor / Feedthrough Combinations

